

SONANCE

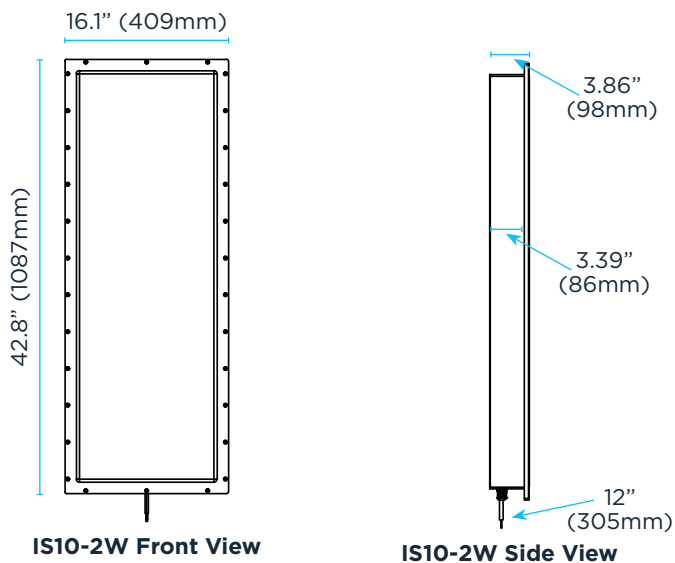
INVISIBLE SERIES DATA SHEET

IS10-2W SUBWOOFER

TECHNICAL SPECIFICATIONS

SKU	93591
UOM	Each
Air Flex Woofer	471in ² (3039cm ²) air pulse diaphragm dual 10" (254mm) carbon fiber woofer
Frequency Response	32Hz - 250Hz +/-3dB
Nominal Impedance	6 ohms nominal
Required Amplification	One unbridged channel of a Sonance DSP Amp using amp-specific IS10-2W DSP filter. *DSP 2-750 for Max Output; DSP 2-150 for -2.2dB Output; DSP 8-130 for -3.5dB Output
Sensitivity (2.83V/1m)	92dB SPL
Dispersion	180° hemispherical up to 250Hz
Product Dimensions (WxHxD)	16.1" x 42.8" x 3.86" (409mm x 1087mm x 98mm)
Mounting Depth	3.39" (86mm)
Product Weight	37.59 lbs. (17.05kg)
Shipping Weight	52.69 lbs. (23.9kg)

DIMENSIONAL DRAWINGS



OPTIONAL ACCESSORIES

Space Saver XL	93603
DG-1 DISC System Depth Gauge	93491

ASSOCIATED PRODUCTS

INVISIBLE SERIES SPEAKERS

IS10 Speaker	93480
IS8 Speaker	93479
IS6 Speaker	93478

INVISIBLE SERIES COMMERCIAL SPEAKER

IS8T Speaker	40197
--------------	-------

LIMITED FIFTEEN (15) YEAR WARRANTY

Sonance warrants to the first end-user purchaser that this Sonance-brand product ("Product"), when purchased from an authorized Sonance Dealer/Distributor, will be free from defective workmanship and materials for the period stated above. Sonance will at its option and expense during the warranty period, either repair the defect or replace the Product with a new or remanufactured Product or a reasonable equivalent. For more details please refer to the product manual.

©2024 Sonance. All rights reserved. Sonance is a registered trademarks of Dana Innovations. Due to continuous product improvement, all features and specifications are subject to change without notice. For the latest Sonance product specification information visit our website at www.sonance.com.

SONANCE • 991 Calle Amanecer • San Clemente, CA 92673 USA • Phone: (949) 492-7777 • Fax: (949) 361-5151 • Technical Support: (949) 492-7777 • www.sonance.com • 03.06.2024