

SONANCE

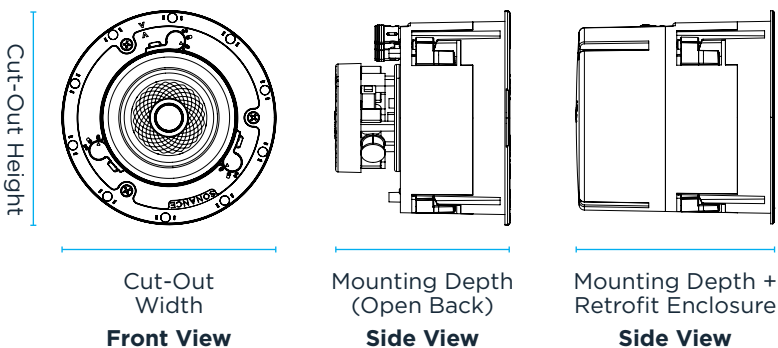
VISUAL EXPERIENCE DATA SHEET

VX46R SST

TECHNICAL SPECIFICATIONS

SKU	VX46R SST 93682 - Each
Tweeter	0.75" (19mm) ceramic dome, Ferrofluid-cooled, acoustic back chamber, dual voice coil
Woofers	4.5" (114mm) Kevlar/Nomex cone, rubber surround, pivoting, dual voice coil
Dispersion Technology	Sinusoidal textured waveguide
Speaker Pivot	Coincident woofer and tweeter, +/-13° pivot
Frequency Response	58Hz - 20kHz +/-3dB
Impedance	8 ohms nominal; 6 ohms minimum
Power Handling (RMS)	5 watts minimum; 80 watts maximum
Sensitivity (2.83V/1m)	90dB SPL
Round Micro Trim Grille (Dia)	6.77" (171.8mm)
Round Trimless Grille (Dia)	6.42" (163mm)
Square Micro Trim Grille (WxH)	6.77" x 6.77" (171.8mm x 171.8mm)
Square Trimless Grille (WxH)	6.42" x 6.42" (163mm x 163mm)
Speaker Mounting Depth (D)	4.61" (117.1mm)
Mounting Depth + Retrofit Encl.	5.75" (146.1mm)
Cut-Out Dims (Dia)	5.875" (149mm)
Shipping Weight	3 lbs. (1.4kg)

DIMENSIONAL DRAWINGS



VX 4" ROUND ACCESSORIES

VX4R-GRILLE-T 4" Micro Trim Round Grille / Pair	93573
VX4R-GRILLE-NT 4" Trimless Round Grille / Pair	93574
VX4SQ-T 4" Micro Trim Square Adapter / Pair	96029
VX4SQ-T-5PR 4" Micro Trim Square Adapter / 5xPair	96032
VX4SQ-NT 4" Trimless Square Adapter / Pair	93585
VX4SQ-NT-5PR 4" Trimless Square Adapter / 5xPair	93588
VX4-ENCL-R 4" Round Enclosure / Pair	96443
FLEXBRK-4-R 4" Round Flex Bracket / 5x Pair	92471

LIMITED LIFETIME WARRANTY

Sonance warrants to the first end-user purchaser that this Sonance-brand product ("Product"), when purchased from an authorized Sonance Dealer/Distributor, will be free from defective workmanship and materials for the life of the Product, except for the grille, which is warranted for five (5) years. Sonance will at its option and expense either repair the defect or replace the Product with a new or remanufactured Product or a reasonable equivalent. ©2024 Sonance. All rights reserved. Sonance is a registered trademarks of Dana Innovations. Due to continuous product improvement, all features and specifications are subject to change without notice. For the latest Sonance product specification information visit our website at www.sonance.com. 991 Calle Amanecer • San Clemente, CA 92673 USA • Phone: (949) 492-7777 • Fax: (949) 361-5151 • Technical Support: (949) 492-7777 12.16.2024