

# SONANCE

## BEYOND SOUND

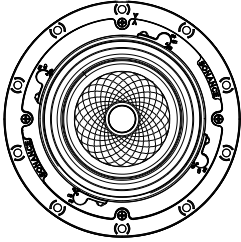
VISUAL EXPERIENCE SERIES WITH SINGLE STEREO TECHNOLOGY

VX46R SST | VX62R SST | VX66R SST | VX86R SST | VX66 SST

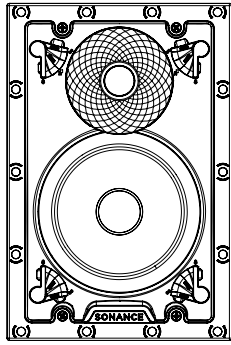
**INSTALLATION AND SUPPORT MANUAL**

## VISUAL EXPERIENCE SPEAKERS

VX46R SST | VX62R SST | VX66R SST |  
VX86R SST | VX66 SST



ROUND  
FRONT VIEW



RECTANGLE  
FRONT VIEW

## IMPORTANT SAFETY INSTRUCTIONS

Always follow these basic safety precautions when using your speakers to reduce the risk of fire, electric shock, and injury to people or objects.

1. Read all the safety and operating instructions before operating the speaker and retain them for future reference.
2. Adhere to all warnings and precautions listed on the speaker and in the operating instructions.
3. Follow all operating instructions.

## TABLE OF CONTENTS

- 2 Box Contents
- 2 Introduction
- 2 Important Safety Information
- 2 Installation
- 4 Painting
- 5 Technical Specifications
- 8 Warranty

## BOX CONTENTS

- (1) Visual Experience Single Stereo Speaker
- (1) Paintable VX Micro Trim Grille
- (1) Cutout Template

## INTRODUCTION

Thank you for selecting Sonance Visual Experience Single Stereo Technology® (SST) Speakers. Sonance has over four decades of experience in premium distributed audio. Please take the time to carefully read through the manual and study the illustrations. This extra time can lead to trouble-free operation and continued musical enjoyment.

**IMPORTANT: Read this section in its entirety before attempting use of speaker.**

## SPEAKER PLACEMENT

VX SST speakers reproduce both stereo channels from a single location, it will deliver outstanding performance from a wide variety of mounting locations where a pair of stereo speakers would be impractical, including hallways, bathrooms, and closets.

The table below shows how far apart SST speakers can be spaced in distributed audio applications while still providing good coverage for standing and seated listeners (see Figure 1).

CEILING HEIGHT	SPACING (STANDING)	SPACING (SEATED)
9-Foot Ceiling	5'7"	9'5"
10-Foot Ceiling	9'7"	13'5"
12-Foot Ceiling	13'7"	17'5"
14-Foot Ceiling	17.7'	21.5'

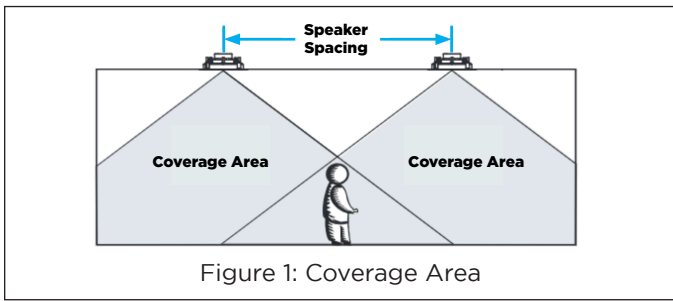


Figure 1: Coverage Area

## INSTALLATION

1. Determine the location for the speaker.
2. Perform an obstruction survey to be certain that there are no studs, conduit, pipes, heating ducts, pocket doors, or air returns in the wall cavity that will interfere with the speaker.
3. Position the included cutout template where the speaker is to be located and pencil an outline on the wall or ceiling. If you are unsure about obstructions, drill a small hole in the center of the outline and insert a coat hanger wire into the hole to feel around for possible obstructions.
4. Cut the mounting hole using tools appropriate for the construction, and run the speaker wires from the mounting hole to the amplifier location.

**IMPORTANT:** Consult local building codes before running speaker wires through walls.

## **i** IMPORTANT PRODUCT FEATURE

Sonance Visual Experience speakers can be installed using a one-stage or two-stage installation process thanks to the innovative Flex Frame mounting system. Read through the installation steps for each to help decide which process works best for you, then follow the appropriate steps to install your VX product.

## ONE-STAGE INSTALLATION

1. Leave the Sonance VX SST speaker module Flex Frame latches in the LOCKED position as supplied out of the box. This will ensure that your VX speaker remains a single piece for the one-stage installation process (see Figure 1).

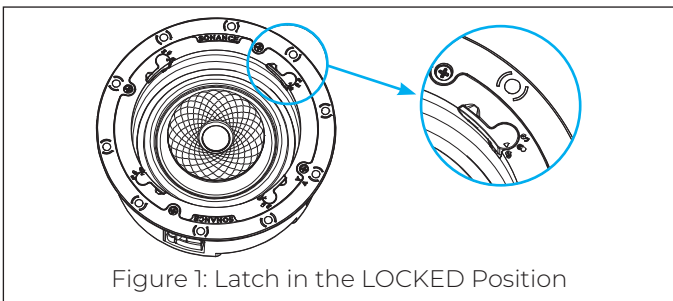


Figure 1: Latch in the LOCKED Position

2. Strip 1/4" – 1/2" (6mm – 13mm) of insulation from each speaker lead. Twist the strands or tin the exposed wire with solder to ensure that there are no stray strands.

**IMPORTANT:** Stray strands that touch each other can cause a short-circuit that can damage the amplifier.

3. The speaker's connector posts are spring-loaded. Push the top of each connector post down to open the connector and insert the exposed wires into the holes in the posts (see Figure 2).

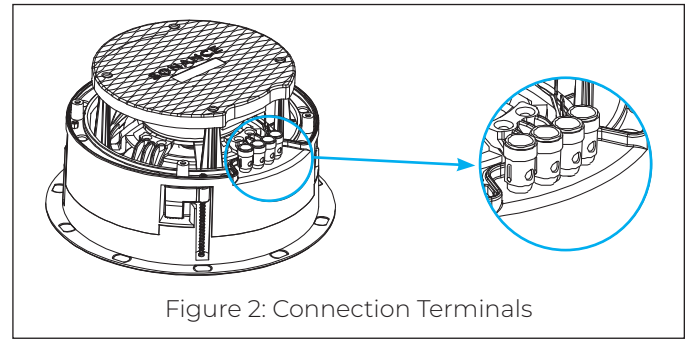


Figure 2: Connection Terminals

4. The speaker's positive post is labeled with a red dot; the negative post is labeled with a black dot.
5. Your Visual Experience Single Stereo Speaker® includes dual input terminals, one pair for the left channel, one pair for the right channel (four spring loaded wire terminals, left and right separated down the middle). Connect the left channel wires to the left input terminals on the speaker, matching positive to red and negative to black. Connect the right channel wires to the right input terminals on the speaker, again matching positive to red and negative to black.
6. After making all connections, double-check that you connected amplifier "+" to speaker "+" and amplifier "-" to speaker "-".

Sonance Visual Experience Series Speakers feature an exclusive integral RotoLock® mounting system for quick mounting directly into existing walls and ceilings.

7. Make sure all the Roto-Lock toggle feet are retracted so that the speaker can fit within the mounting hole (see Figure 3).

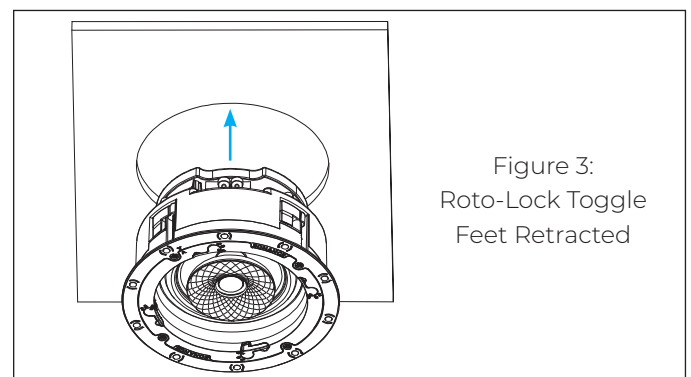


Figure 3:  
Roto-Lock Toggle  
Feet Retracted

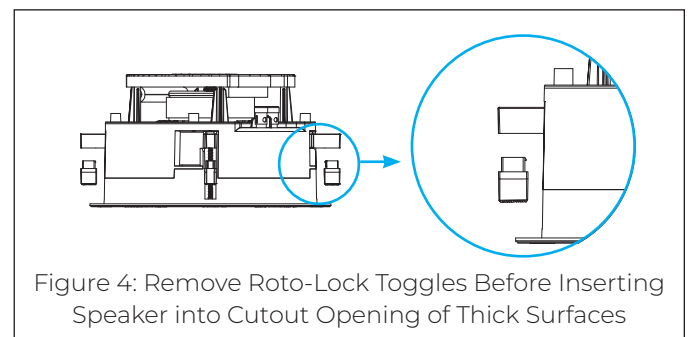


Figure 4: Remove Roto-Lock Toggles Before Inserting Speaker into Cutout Opening of Thick Surfaces

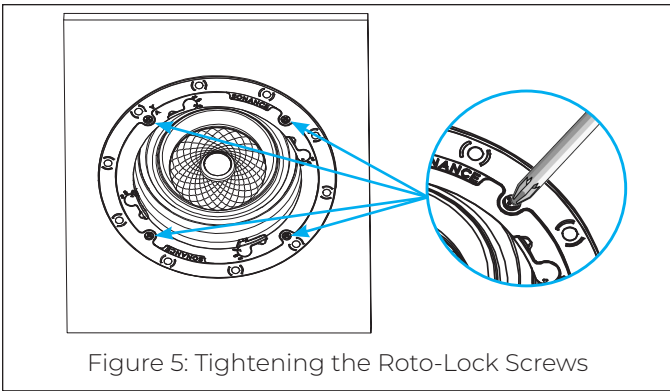


Figure 5: Tightening the Roto-Lock Screws

8. The Roto-Lock clamps will automatically rotate into position and begin clamping the speaker.

**IMPORTANT:** Always use low-torque settings when using a screw gun and go very slowly; never over tighten.

**IMPORTANT:** Adjusting the tension of the Roto-Lock Clamps to help the speaker sit flat with the surface will help ensure proper grille contact all the way around the speaker.

## TWO-STAGE INSTALLATION

Sonance Visual Experience Single Stereo Technology® Speakers models can be installed leveraging a unique two-stage process which allows the installer to separate the speaker frame from the speaker module to easily hold, wire, and secure the frame to the installation surface (see Figure 6). This feature makes it simple to pre-wire with maximum visibility and maneuverability without risk of dropping the speaker while on a ladder.

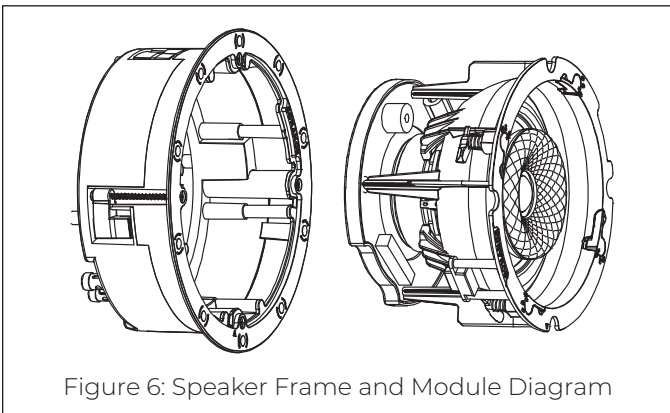


Figure 6: Speaker Frame and Module Diagram

1. Use thumb pressure to rotate the VX SST speaker module Flex Frame latch into the UNLOCKED position.
2. Remove the speaker module from the frame (see Figure 7).
3. Reserve the speaker module in a safe place for step 8.

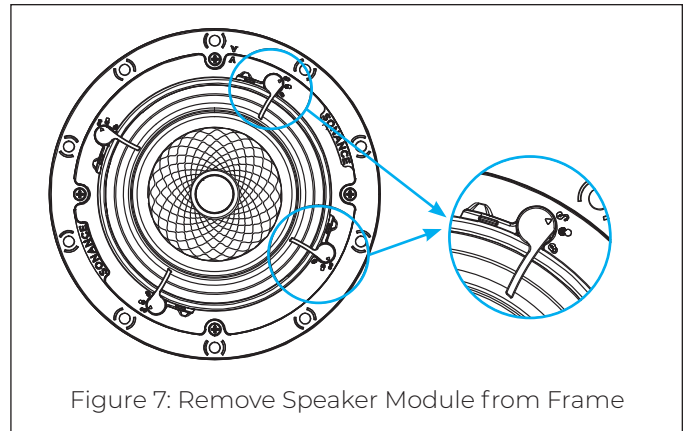


Figure 7: Remove Speaker Module from Frame

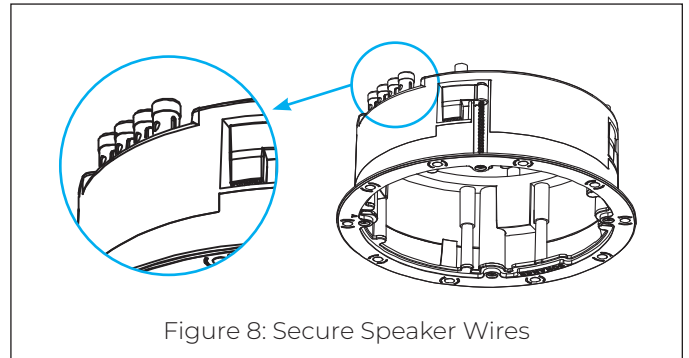


Figure 8: Secure Speaker Wires

4. Secure the speaker wires to the speaker frame using the spring loaded connector posts (see Figure 8).
5. The speaker's connector posts are spring-loaded. Push the top of each connector post down to open the connector and insert the exposed wires into the holes in the posts.
6. The speaker's positive post is labeled with a red dot; the negative post is labeled with a black dot.
7. Your Visual Experience Single Stereo Speaker includes dual input terminals, one pair for the left channel, one pair for the right channel (four spring loaded wire terminals, left and right separated down the middle). Connect the left channel wires to the left input terminals on the speaker, matching positive to red and negative to black. Connect the right channel wires to the right input terminals on the speaker, again matching positive to red and negative to black."

**IMPORTANT:** Always use low-torque settings when using a screw gun and go very slowly; never over tighten.

8. Install the wired VX speaker frame into the cutout in the installation surface. Make sure all Roto-Lock toggle feet are retracted so that they are tucked within the mounting hole's borders and then insert the speaker frame into the hole (see Figure 9).

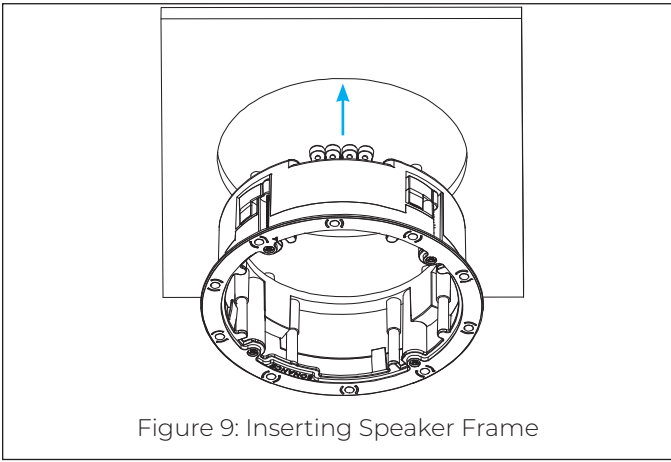


Figure 9: Inserting Speaker Frame

9. Tighten the four screws on the front baffle to clamp the Roto-Lock toggle feet into position, securing the speaker frame to the surface (see Figure 10).

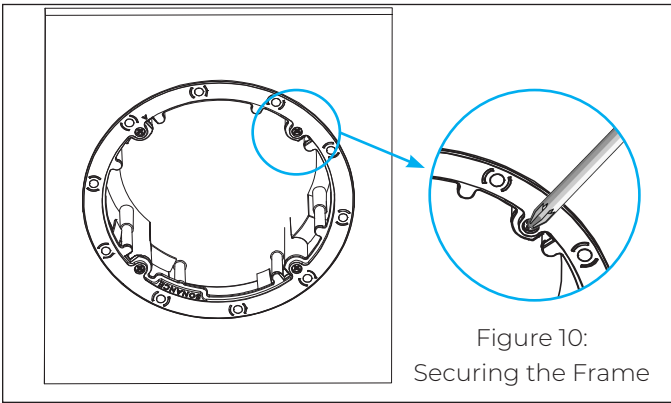


Figure 10:  
Securing the Frame

10. Use thumb pressure to rotate the VX speaker module Flex Frame latch into the middle HOLD position (see Figure 11).

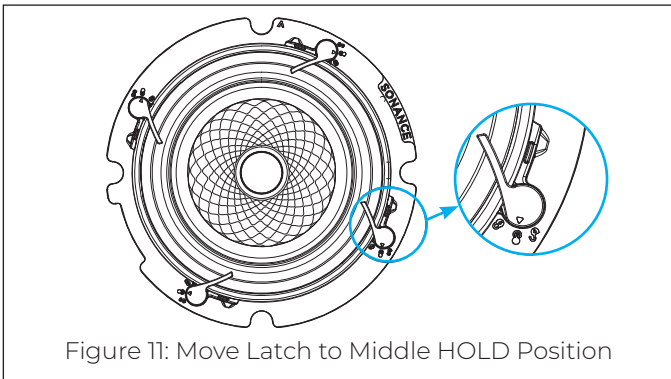


Figure 11: Move Latch to Middle HOLD Position

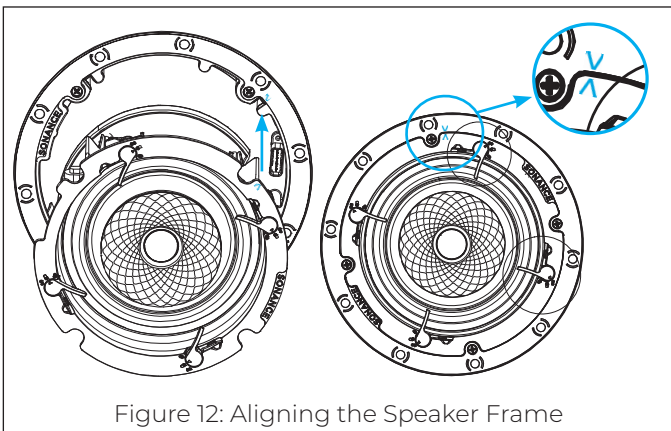


Figure 12: Aligning the Speaker Frame

11. Firmly and fluidly snap the VX speaker module into the installed VX speaker frame. Line up the bright blue alignment fin of the speaker module with the matching blue alignment notch on the speaker frame (see Figure 12).
12. Press firmly to snap the speaker into the frame. Once you hear the “click,” the speaker will be secure. Carefully remove your hand to ensure the speaker is locked into place.
13. Use thumb pressure to rotate the VX speaker module Flex Frame latch into the LOCKED position (see Figure 13).

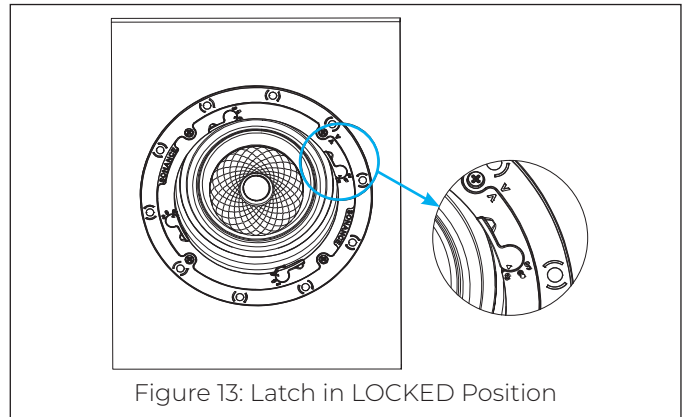


Figure 13: Latch in LOCKED Position

14. Sonance VX SST models feature a pivoting woofer that can be adjusted. To adjust the woofer position, apply pressure on the outer third of the waveguide. Do not touch or apply pressure to the tweeter in the center of the speaker or the woofer cone that surrounds the waveguide. (See Figure 14)

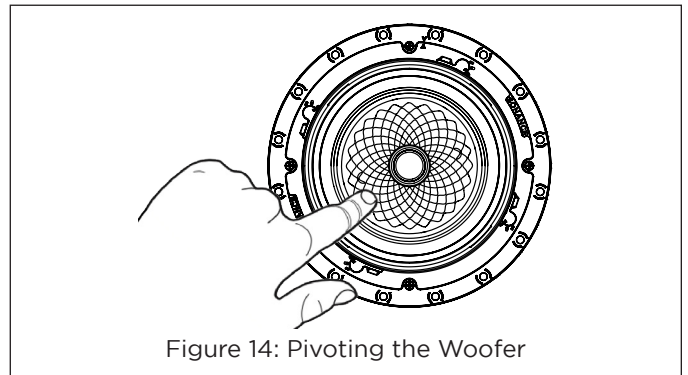


Figure 14: Pivoting the Woofer

15. The VX grille is held in place by several small, powerful magnets on the speaker frame. Place the grille against the speaker and the magnets will hold it firmly in place. When properly installed, the grille flange should make contact with the surface all the way around the speaker.

## PAINTING THE GRILLES

Sonance Visual Experience Series speaker grilles completely cover the exposed speaker frame, so only the grilles (not the speakers themselves) require painting.

1. Remove and save the scrim cloth from the back of the grille.
2. Prime the grille with a metal primer/bonder in a spray can. Carefully follow the manufacturer's directions on the can.
3. We recommend using water-based latex paint on the grilles. Thin the paint with a proper thinning agent to a ratio of 1:1 paint-to-thinner, and strain it through a standard mesh strainer to remove any lumps.
4. Use a small touch-up gun or cap-spray gun with a #3 tip for painting.
  - Set the nozzle with a medium to wide fan.
  - Set the pressure regulator to 60psi.
  - Lightly spray the front of the grille in three quick strokes from approximately 10" away.
  - Let the paint set for a minute, then turn the grille 90° and lightly spray the grille again in three quick strokes.
  - Repeat this step until all four sides of the grille have been evenly painted.
5. While the paint is still wet, inspect the grille and make sure that excess paint has not collected underneath the grille frame, and that none of the grille perforations are filled with paint. If any are, use compressed air to blow the paint out of the perforations.

**IMPORTANT: If you find any grille perforations that are plugged with paint after the paint has dried, use a straight pin or sewing needle to carefully remove the paint.**

6. Optional step. Reattach the scrim cloth to the back of the grille. Once the paint has dried, you may need to use an extremely light single pass coating of 3M Super 76 spray adhesive.
7. Once the paint has thoroughly dried, mount the grille on the speaker.

## TECHNICAL SPECIFICATIONS

### VX46R SST

SKU	93682
UOM	Each
Tweeter	0.75" (19mm) ceramic dome, Ferrofluid-cooled, acoustic back chamber, dual voice coil
Woofers	4.5" (114mm) Kevlar/Nomex cone, rubber surround, pivoting, dual voice coil
Dispersion Technology	Sinusoidal Textured Waveguide
Frequency Response	58Hz - 20kHz +/-3dB
Impedance	8 ohms nominal; 6 ohms minimum
Power Handling	5 watts minimum; 80 watts maximum
Sensitivity	90dB SPL (2.83V/1 meter)
Speaker Pivot	Coincident Woofer + Tweeter Pivoting
Round Micro Trim Grille (Dia)	6.77" (171.8mm)
Round Trimless Grille (Dia)	6.42" (163mm)
Square Micro Trim Grille (WxH)	6.77" x 6.77" (171.8mm x 171.8mm)
Square Trimless Grille (WxH)	6.42" x 6.42" (163mm x 163mm)
Speaker Mounting Depth (D)	4.61" (117.1mm)
Mounting Depth + Retrofit Encl. (D)	5.75" (146.1mm)
Cut-Out Dims (Dia)	5.875" (149mm)
Shipping Weight	3 lbs. (1.4kg)

### VX62R SST

SKU	93683
UOM	Each
Tweeter	1" (25mm) cloth dome, Ferrofluid-cooled, acoustic back chamber, dual voice coil
Woofers	6.5" (165mm) textured polypropylene cone, rubber surround, pivoting, dual voice coil
Dispersion Technology	Sinusoidal Textured Waveguide
Frequency Response	45Hz - 20kHz +/-3dB
Impedance	8 ohms nominal; 6 ohms minimum
Power Handling	5 watts minimum; 125 watts maximum
Sensitivity	89dB SPL (2.83V/1 meter)
Speaker Pivot	Coincident Woofer + Tweeter Pivoting
Round Micro Trim Grille (Dia)	9.62" (244.4mm)
Round Trimless Grille (Dia)	9.28" (235.6mm)
Square Micro Trim Grille (WxH)	9.62" x 9.62" (244.4mm x 244.4mm)
Square Trimless Grille (WxH)	9.28" x 9.28" (235.6mm x 235.6mm)
Speaker Mounting Depth (D)	4.92" (125mm)
Mounting Depth + Retrofit Encl. (D)	5.75" (146.1mm)
Cut-Out Dims (Dia)	8.25" (210mm)
Shipping Weight	4.5 lbs. (2.1kg)

## TECHNICAL SPECIFICATIONS CONTINUED

### VX66R SST

SKU	93684
UOM	Each
Tweeter	1" (25mm) ceramic dome, Ferrofluid-cooled, acoustic back chamber, dual voice coil
Woofers	6.5" (165mm) Kevlar/Nomex cone, rubber surround, pivoting, dual voice coil
Dispersion Technology	Sinusoidal Textured Waveguide
Frequency Response	43Hz - 20kHz +/-3dB
Impedance	8 ohms nominal; 6 ohms minimum
Power Handling	5 watts minimum; 140 watts maximum
Sensitivity	90dB SPL (2.83V/1 meter)
Speaker Pivot	Coincident Woofer + Tweeter Pivoting
Round Micro Trim Grille (Dia)	9.62" (244.4mm)
Round Trimless Grille (Dia)	9.28" (235.6mm)
Square Micro Trim Grille (WxH)	9.62" x 9.62" (244.4mm x 244.4mm)
Square Trimless Grille (WxH)	9.28" x 9.28" (235.6mm x 235.6mm)
Speaker Mounting Depth (D)	4.92" (125mm)
Mounting Depth + Retrofit Encl. (D)	5.75" (146.1mm)
Cut-Out Dims (Dia)	8.25" (210mm)
Shipping Weight	4.5 lbs. (2.1kg)

### VX86R SST

SKU	93686
UOM	Each
Tweeter	1.2" (30mm) ceramic dome, Ferrofluid-cooled, acoustic back chamber, dual voice coil
Woofers	8" (203mm) Kevlar/Nomex cone, rubber surround, pivoting, dual voice coil
Dispersion Technology	Sinusoidal Textured Waveguide
Frequency Response	34Hz - 20kHz +/-3dB
Impedance	8 ohms nominal; 6 ohms minimum
Power Handling	5 watts minimum; 150 watts maximum
Sensitivity	91dB SPL (2.83V/1 meter)
Speaker Pivot	Coincident Woofer + Tweeter Pivoting
Round Micro Trim Grille (Dia)	11.52" (292.6mm)
Round Trimless Grille (Dia)	11.17" (283.8mm)
Square Micro Trim Grille (WxH)	11.52" x 11.52" (292.6mm x 292.6mm)
Square Trimless Grille (WxH)	11.17" x 11.17" (283.8mm x 283.8mm)
Speaker Mounting Depth (D)	5.51" (140.0mm)
Mounting Depth + Retrofit Encl. (D)	6.52" (165.6mm)
Cut-Out Dims (WxH)	10.125" (257mm)
Shipping Weight	10 lbs. (4.5kg)



## TECHNICAL SPECIFICATIONS CONTINUED

### VX66 SST

SKU	93685
UOM	Each
Tweeter	1" (25mm) ceramic dome, Ferrofluid-cooled, acoustic back chamber, dual voice coil
Woofer	6.5" (165mm) Kevlar/Nomex cone, rubber surround, dual voice coil
Dispersion Technology	Sinusoidal Textured Waveguide
Frequency Response	43Hz - 20kHz +/-3dB
Impedance	8 ohms nominal; 6 ohms minimum
Power Handling	5 watts minimum; 140 watts maximum
Sensitivity	90dB SPL (2.83V/1 meter)
Rectangle Micro Trim Grille (W x H)	8.23" x 12.12" (208.9mm x 307.7mm)
Round Trimless Grille (Dia)	11.17" (283.8mm)
Rectangle Trimless Grille (W x H)	7.88" x 11.77" (200.1mm x 298.9mm)
Speaker Mounting Depth (D)	3.48" (88.3mm)
Mounting Depth + Retrofit Encl.	3.84" (97.6mm)
Cut-Out Dims (WxH)	6.9375" x 10.75" (176mm x 273mm)
Shipping Weight	5 lbs. (2.3kg)

## LIMITED LIFETIME WARRANTY

Sonance warrants to the first end-user purchaser that this Sonance-brand product ("Product"), when purchased from an authorized Sonance Dealer/Distributor, will be free from defective workmanship and materials for the life of the Product, except for the grille, which is warranted for five (5) years. Sonance will at its option and expense either repair the defect or replace the Product with a new or remanufactured Product or a reasonable equivalent.

**EXCLUSIONS: TO THE EXTENT PERMITTED BY LAW, THE WARRANTY SET FORTH ABOVE IS IN LIEU OF, AND EXCLUSIVE OF, ALL OTHER WARRANTIES, EXPRESS OR IMPLIED, AND IS THE SOLE AND EXCLUSIVE WARRANTY PROVIDED BY SONANCE. ALL OTHER EXPRESS AND IMPLIED WARRANTIES, INCLUDING THE IMPLIED WARRANTIES OF MERCHANTABILITY, IMPLIED WARRANTY OF FITNESS FOR USE, AND IMPLIED WARRANTY OF FITNESS FOR A PARTICULAR PURPOSE ARE SPECIFICALLY EXCLUDED. No one is authorized to make or modify any warranties on behalf of Sonance.**

The warranty stated above is the sole and exclusive remedy and Sonance's performance shall constitute full and final satisfaction of all obligations, liabilities and claims with respect to the Product.

**IN ANY EVENT, SONANCE SHALL NOT BE LIABLE FOR CONSEQUENTIAL, INCIDENTAL, ECONOMIC, PROPERTY, BODILY INJURY, OR PERSONAL INJURY DAMAGES ARISING FROM THE PRODUCT, ANY BREACH OF THIS WARRANTY OR OTHERWISE.**

This warranty statement gives you specific legal rights, and you may have other rights which vary from state to state. Some states do not allow the exclusion of implied warranties or limitations of remedies, so the above exclusions and limitations may not apply. If your state does not allow disclaimer of implied warranties, the duration of such implied warranties is limited to period of Sonance's express warranty.

Your Product Model and Description: Sonance Visual Experience with Single Stereo Technology.

Additional Limitations and Exclusions from Warranty Coverage: The warranty described above is non-transferable, applies only to the initial installation of the Product, does not include installation of any repaired or replaced Product, does not include damage to allied or associated equipment which may result for any reason from use with this Product, and does not include labor or parts caused by accident, disaster, negligence, improper installation, misuse (e.g. overdriving the amplifier or speaker, excessive heat or cold or humidity, outdoor installation), or from service or repair which has not been authorized by Sonance.

Obtaining Authorized Service: To qualify for the warranty, you must contact your authorized Sonance Dealer/Installer or call Sonance Customer Service at (949) 492-7777, must obtain a return merchandise number (RMA), and must deliver the Product to Sonance shipping prepaid during the warranty period, together with the original sales receipt, or invoice or other satisfactory proof of purchase.

In order to initiate a warranty claim:

1. Contact Sonance Technical Support with a description of the fault, the amplifier's serial number and the date of purchase from an authorized Sonance dealer at: [technicalsupport@sonance.com](mailto:technicalsupport@sonance.com)
2. Sonance Technical Support will follow-up and may request additional troubleshooting.
3. Once a determination has been made on the fault, Sonance Customer Service will follow-up by email. Please have a scanned copy of your Sonance Visual Experience SST Speaker sales invoice ready to send upon request to document the speaker's warranty status.
4. Sonance Customer Service will provide an RMA number to be included on the shipping label of the packaging. Please send the speaker back in its original factory carton, which has been specifically designed to protect the speaker during transit.

Contact us at: <https://www.sonance.com/company/contact>

---

## SONANCE

©2024 Sonance. All rights reserved. Sonance is a registered trademarks of Dana Innovations. Due to continuous product improvement, all features and specifications are subject to change without notice. For the latest Sonance product specification information visit our website: [www.sonance.com](http://www.sonance.com)

SONANCE • 991 Calle Amanecer • San Clemente, CA 92673 USA • PHONE: (949) 492-7777 • FAX: (949) 361-5151 • Technical Support: (949) 492-7777  
08.05.2024